

## Description

### Start the engine

Fill gas into the tank.

Open the valve on the gas tank.

Gas leaks only when the engine is running.

Start the engine by hand at the flywheel or with the rope.

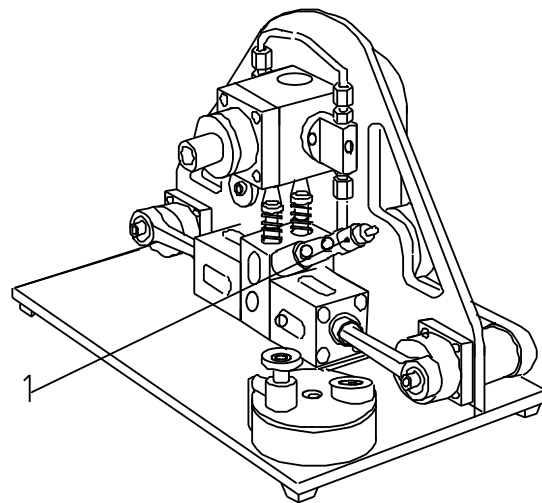
The speed can be controlled with the valve on the tank.

A fine adjustment of the mixture can be achieved at the carburetor. 1

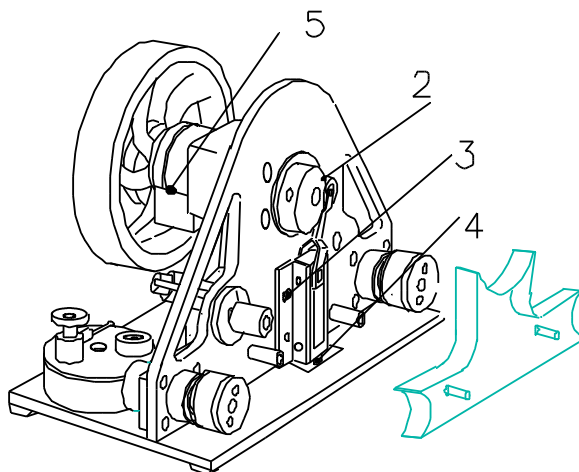
### Lubrication

Please lubricate engine with fine oil.

Please do not use oil with additives such as graphite, these will block the ignition, if necessary, clean the ignition (rotor and stator). 5



### Adjustment



The piezo igniter can be readjusted at two points. 2/3

Please loosen the locknut and screw in this pin when the trigger of the detonator is relaxed. 4

Adjust this level of the igniter without distance from the excenter.